

Mirror Cone Adapter



Customization options include:

Mirror Size

Mirror Angle

Active Diameter Input



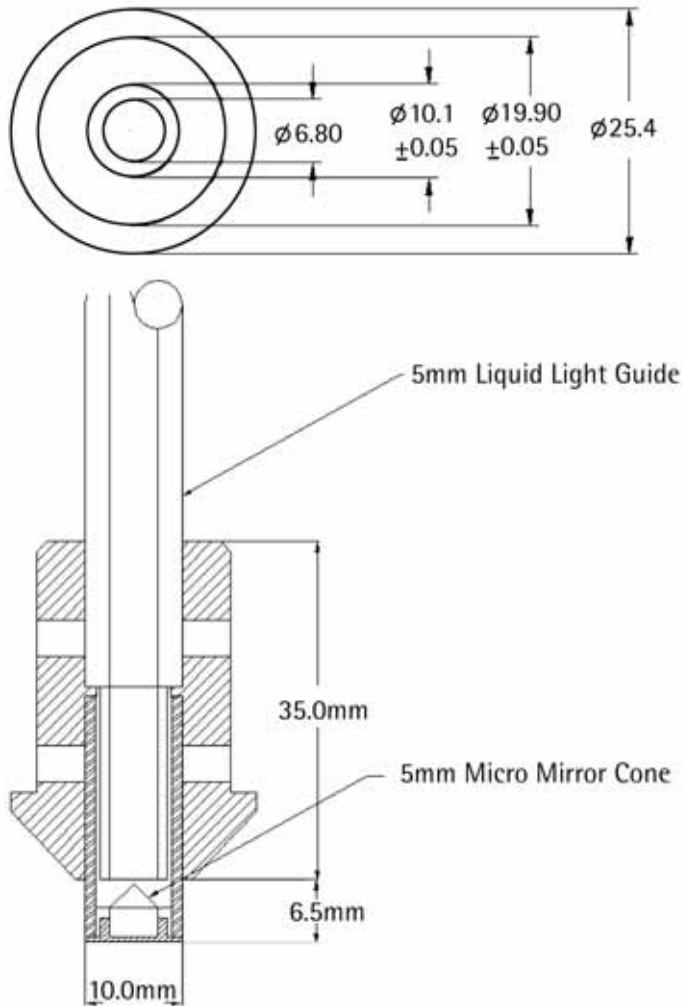
Mirror cone adapters connect to standard EXFO liquid light guides to provide a 360° beam of light radially outward from the adapter. The mirror cone adapter is ideal for applications requiring light simultaneously to the inner circumference of a cylinder.

Fiber-optic test,
measurement, monitoring
and automation solutions

EXFO

Specifications

Throughput:	Approximately 80% of the throughput of a single liquid filled light guide
Divergence:	NA = 0.37
Uniformity:	+/- 10



Dimensions shown are for standard mirror cone adapters. Customization options, including mirror cone size, angle and active light guide diameter are available upon request.

EXFO PHOTONIC SOLUTIONS	2260 Argentia Road	Mississauga (Ontario) L5N 6H7	Tel.: 1 905 821-2600 . Fax.: 1 905 821-2055
TOLL-FREE	Tel.: 1 800 668-8752		
CORPORATE HEADQUARTERS	465 Godin Avenue	Vanier (Quebec) G1M 3G7 CANADA	Tel.: 1 418 683-0211 . Fax.: 1 418 683-2170
EXFO AMERICA	1201 Richardson Drive, Suite 260	Richardson TX 75080 USA	Tel.: 1 800 663-3963 . Fax.: 1 972 907-2297
EXFO EUROPE	Le Dynastuer, 10/12 rue Andras Beck	92366 Meudon la Forêt Cedex FRANCE	Tel.: +33.1.40.83.85.85 . Fax.: +33.1.40.83.04.42
EXFO ASIA-PACIFIC	151 Chin Swee Road, #03-29 Manhattan House	SINGAPORE 169876	Tel.: +65 333 8241 . Fax.: +65 333 8242
TOLL-FREE (USA and Canada)	Tel.: 1 800 663-3936	www.exfo.com • info@exfo.com	

EXFO is certified ISO 9001 and attests to the quality of these products. This device complies with Part 15 of the FCC rules. Operation is subject to the following two conditions: (1) this device may not cause harmful interference, and (2) this device must accept any interference received, including interference that may cause undesired operation. EXFO has made every effort to ensure that the information contained in this specification sheet is accurate. However we accept no responsibility for any errors or omissions, and we reserve the right to modify design, characteristics and products at any time without obligation. Units of measurement in this document conform to SI standards and practices.

Contact EXFO for prices and availability or to obtain the phone number of your local EXFO distributor.
For the most recent version of this spec sheet, please go to the EXFO website at <http://www.exfo.com/support/techdocs.asp>
In case of discrepancy, the Web version takes precedence over any printed literature.

